

Series CR Material Specifications

Coating
Vitreous enamel

Body
Ceramic

Windings
High-grade resistance alloy

Terminals
Welded and solder-coated

Weight (lbs.)

CR12.5...0.6 oz.	CR150.....1.1
CR25.....0.19	CR225......2
CR50.....0.32	CR300.....2.6
CR75.....0.52	CR500.....4
CR100....0.64	CR1000...10

Series CR Electrical Specifications

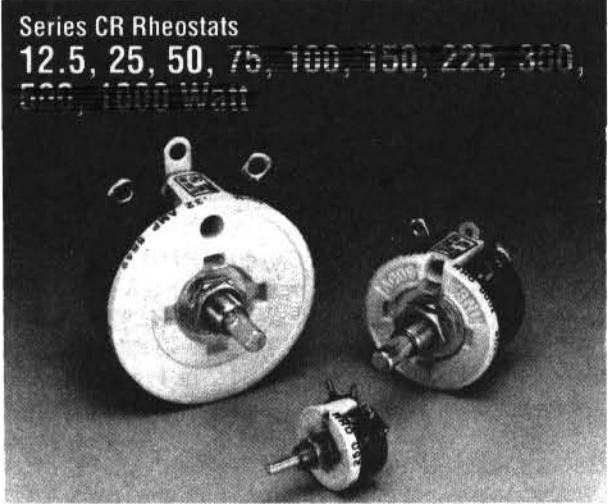
Resistance Tolerance
±10% standard
Closer tolerances available.

Voltage
High-strength ceramic hub insulates the shaft and bushing from all line parts. 25 watt to 150 watt models have the live parts insulated to ground to meet Underwriters' Laboratories 300 volt rating. 225 watt to 1000 watt models meet U.L.'s 600 volt rating. 12.5 watt model is not U.L. approved.

Dielectric Withstanding Voltage
25 watt to 1000 watt models, 3000 Vac test to ground.

Resistance Range (ohms)

CR12.5...1-5000	CR150.....1-10K
CR25.....1-5000	CR225.....1-2500
CR50.....1-10K	CR300... 1-2500
CR75.....1-10K	CR500.....1-2500
CR100....1-10K	CR1000...1-2000



Description

The CR series of rheostats is ideal for use over long periods of time. The CR series is made in accordance to MIL-R-22 and most of this series is UL approved.

Features

- Vitreous enamel bonds core and base
- Windings secured to prevent shifting
- Wiper tracks are buffed to assure smooth rotation and uniform contact
- Three terminals for potentiometer applications
- Minimum backlash

Series CR Mechanical Specifications

Shaft Torque (lbs. inches)

CR150.....0.5 to 3.0	CR12.5...1.0 to 6.0
CR225.....2.5 to 4.0	CR25....0.25 to 0.5
CR300.....2.5 to 5.0	CR50....0.25 to 2.0
CR500.....4.5 to 7.0	CR75.....0.5 to 2.0
CR1000...3.5 to 7.0	CR100....0.5 to 2.0

Rotation (± 5%)

CR12.5...300°	CR150.....300°
CR25.....300°	CR225....310°
CR50.....300°	CR300....370°
CR75.....300°	CR500....325°
CR100....300°	CR1000...335°

Standard Mounting

Series CR12.5

Mounts to panels up to 1/8 in. (3.175 mm) thick with 1/4 in (6.35 mm) - 32 (6.35 mm) bushing and hex nut, locating pin requires 1/8 in. (3.175 mm) diameter hole, 1/4 in. (6.35 mm) below shaft center.

Series CR25, CR50, CR75, CR100, CR150

Mounts to panels up to 1/4 in. thick with 3/8 in. (9.53 mm) - 32 bushing and hex nut, (CR150 can use 10 in. (254 mm) - 32 thread F.H. screws.) Locating pin requires .188 in. (4.78 mm) hole, 1/2 in. (12.7 mm) below center of shaft, CR150 has no locating pin.

Series CR225, CR300, CR500, CR1000

Mounts to panels up to 1 1/4 in. (31.75 mm) thick with two 1/4 in. (6.35 mm) - 20 x 1 1/2 in. (38.1 mm) flat head screws. (included).

Figure 1

CR 12-1/2 - 12.5 WATTS

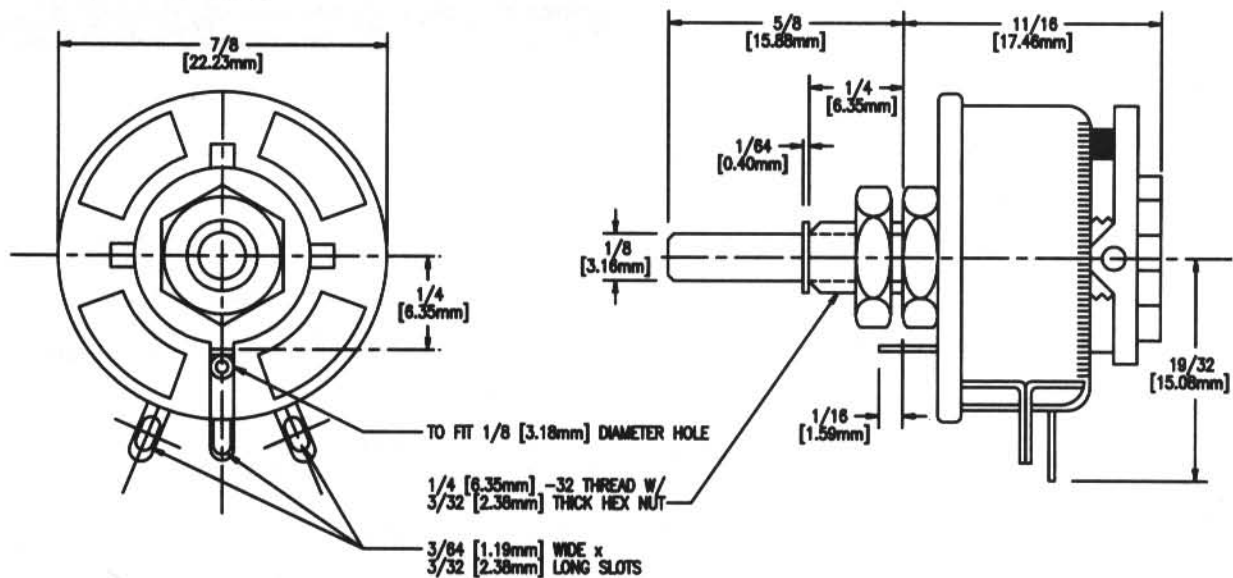


Figure 2

CR25 - 25 WATTS

UL APPROVED

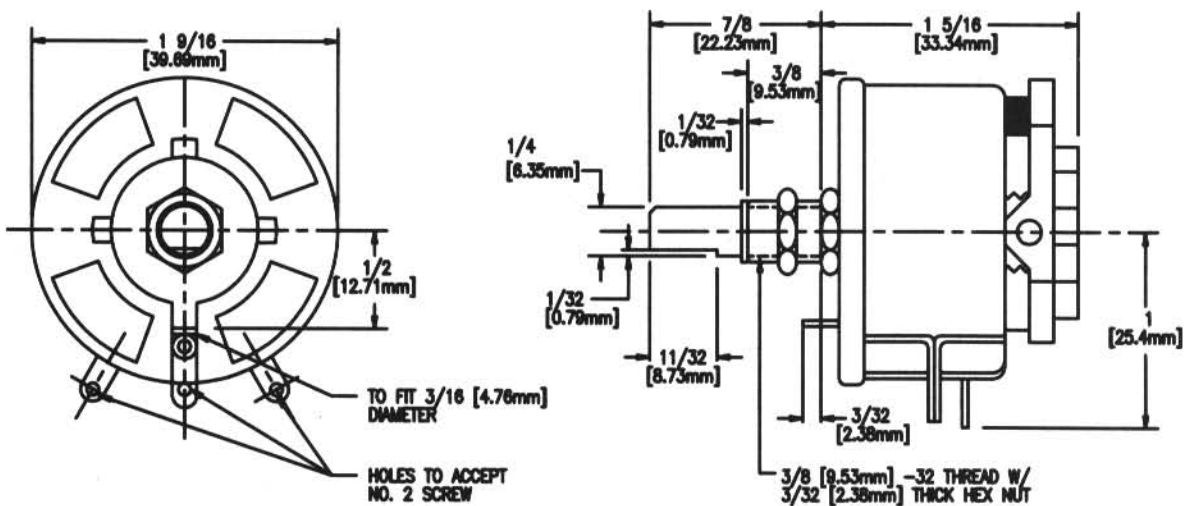


Figure 3

CR50 - 50 WATTS

UL APPROVED

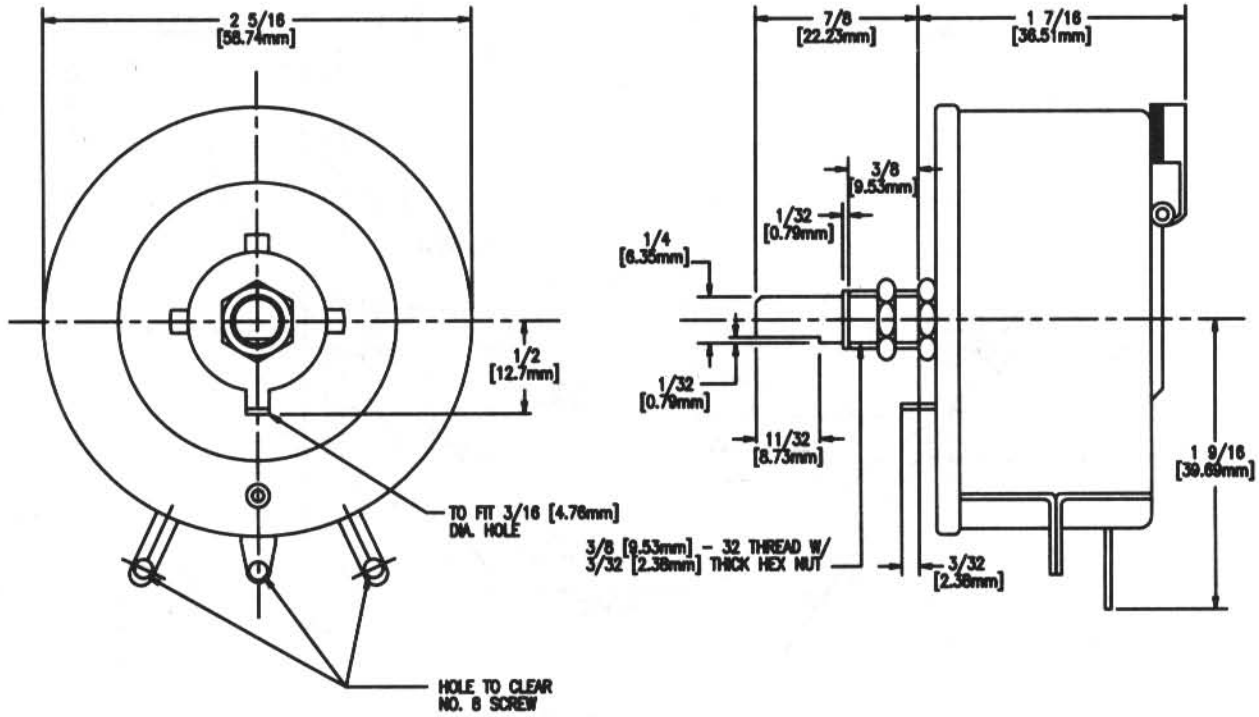


Figure 4

CR75 - 75 WATTS

UL APPROVED

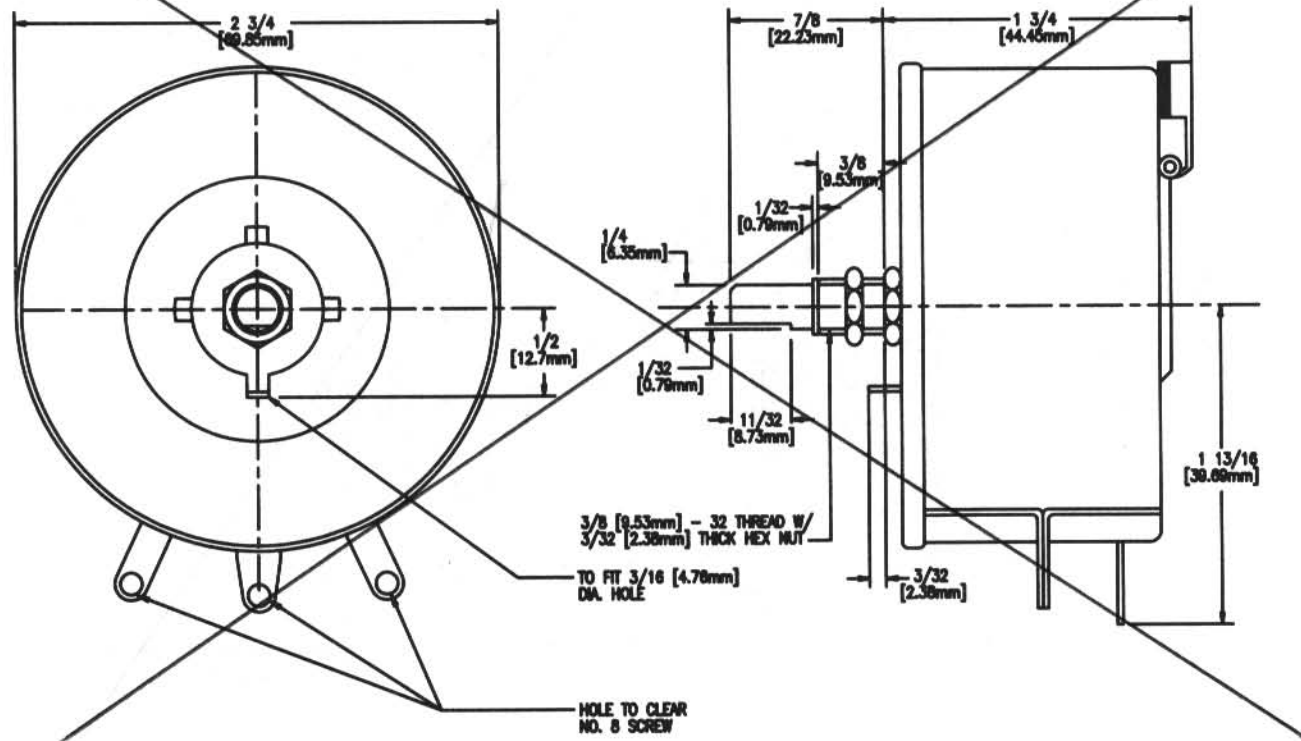


Figure 5

CR100 - 100 WATTS

UL APPROVED

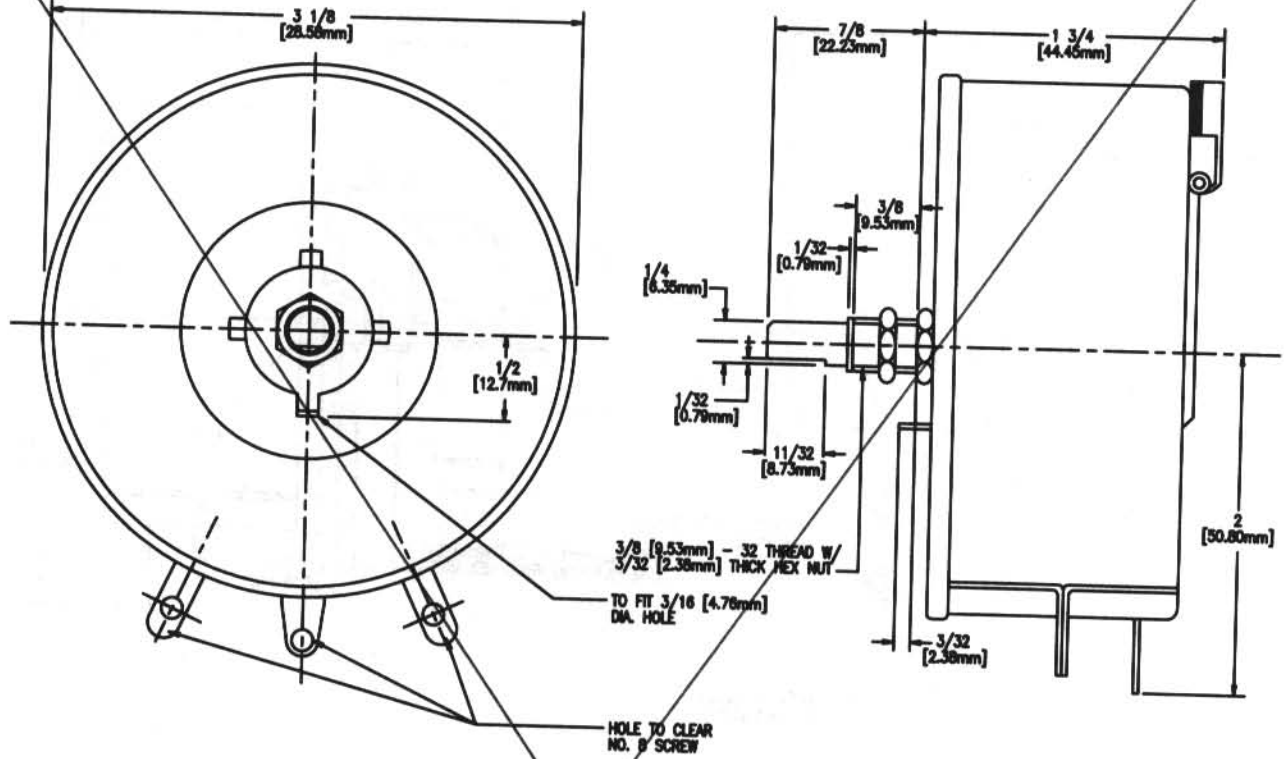


Figure 6

CR150 - 150 WATTS

UL APPROVED

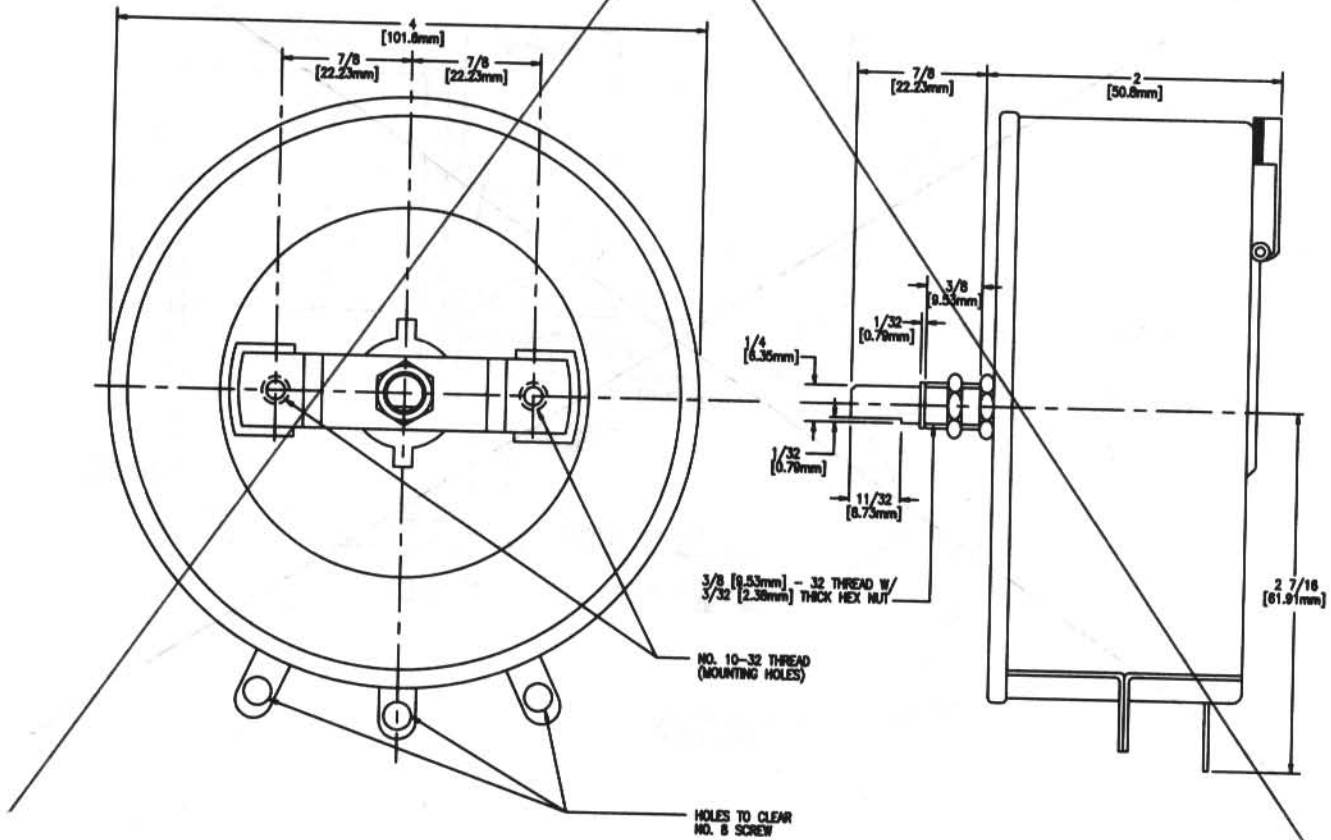


Figure 7

CR225 - 225 WATTS

UL APPROVED

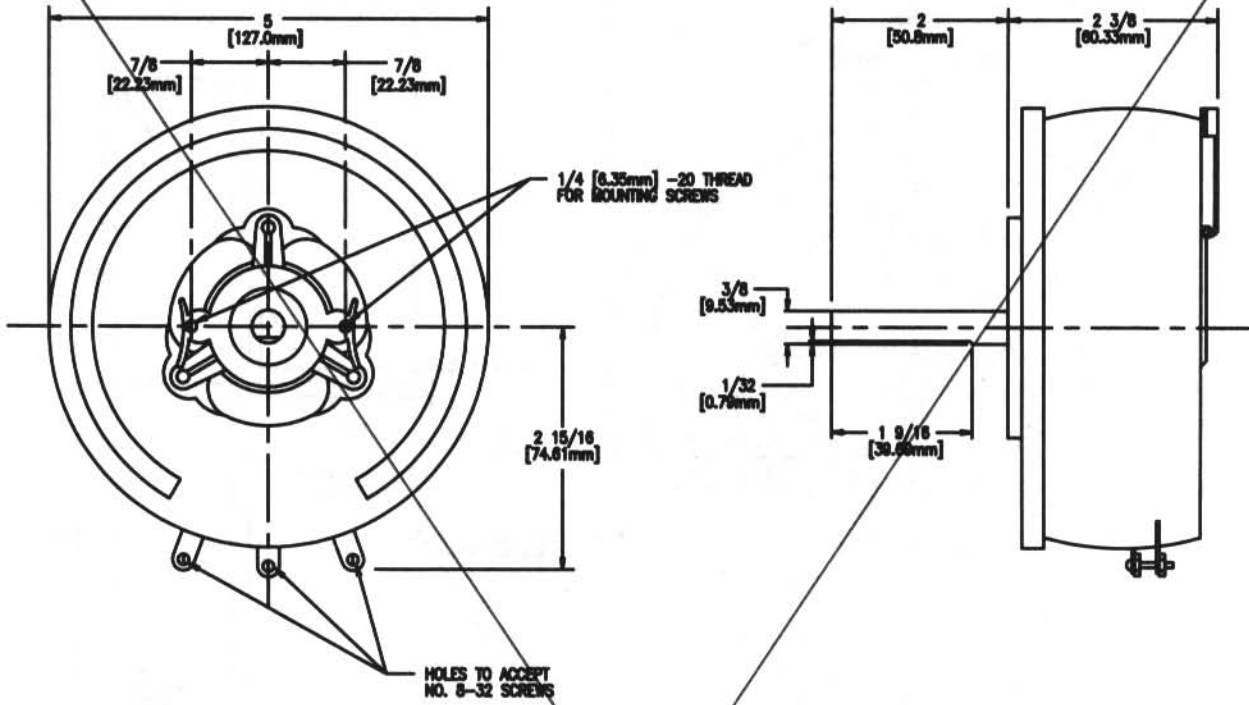


Figure 8

CR300 - 300 WATTS

UL APPROVED

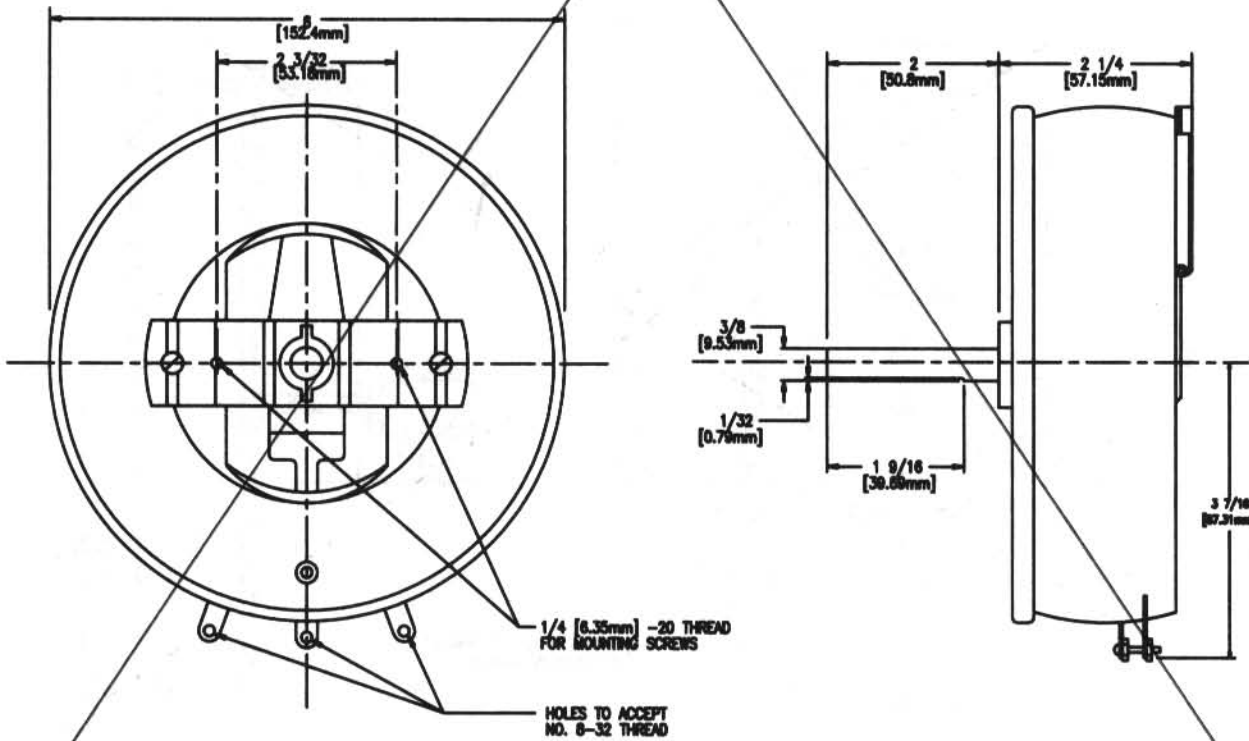


Figure 9

CR500 - 500 WATTS

UL APPROVED

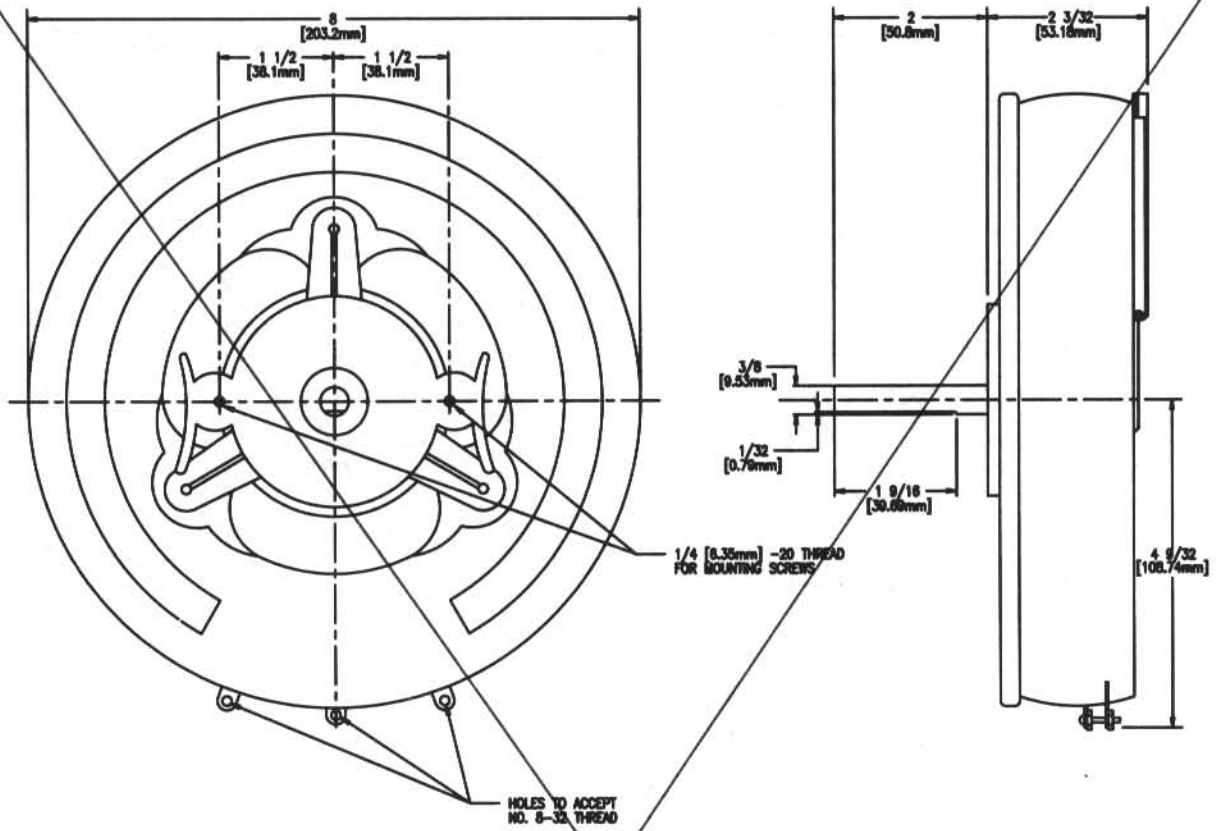
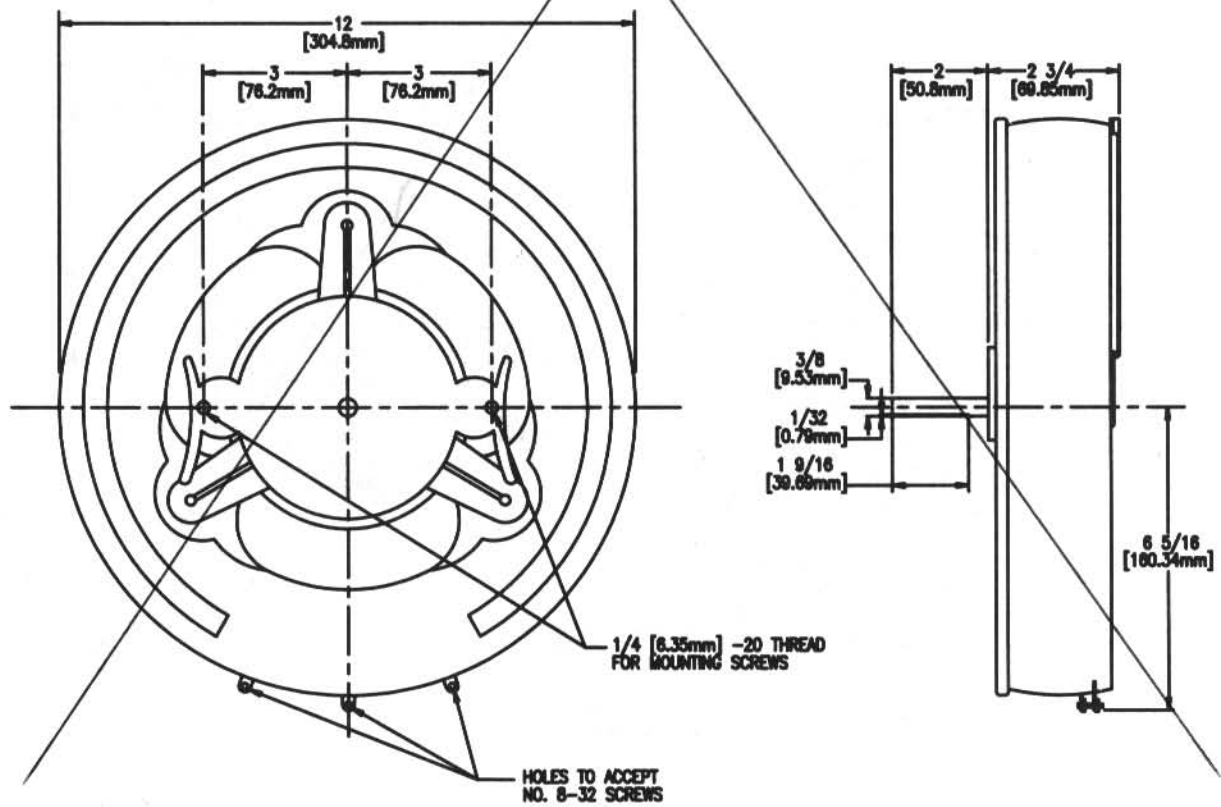


Figure 10

CR1000 - 1000 WATTS

UL APPROVED



Series CR Standard Resistance Values

Stock Values (Ohms)

CR 12.5

15	100
25	250
50	1500
75	10K

CR25

3	25	125	750	3.5K
6	50	175	1K	5K
10	75	250	1.5K	10K
15	100	500	2.5K	

CR50

0.5	225
1	500
50	1K
125	10K

Notes:

12.5, 25, and 50 watt versions are stocked.
All others are on a made-to-order basis, please
contact Factory for pricing and minimums.
Lead time: 6 to 8 weeks for made-to-order items.
Made-to-order items are non-cancellable,
non-returnable.

Series CR How to Order

Series/Wattage + Resistance Value = Part Number

Examples:

If 12.5 watts: CR12.5 + 250 Ohms = CR12.5-250

If 50 watts: CR50 + 225 Ohms = CR50-225

If 300 watts*: CR300 + 100 Ohms = CR300-100

If 1000 watts*: CR1000 + 750 Ohms = CR1000-750

*made-to-order.